



MILACRON®

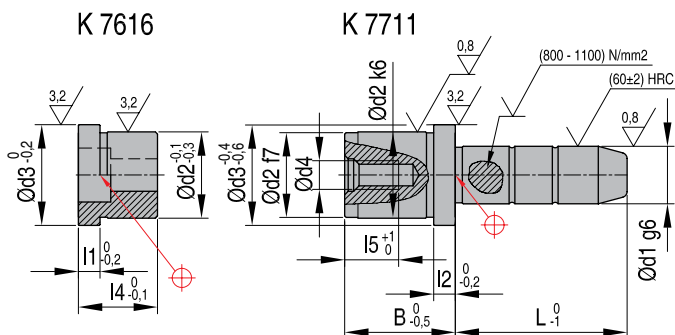
Направляющие элементы для пресс-форм К-серия (K- Series)



K7711 + K7616

Leader pins + Shoulder plates

Mat.: 1.7131



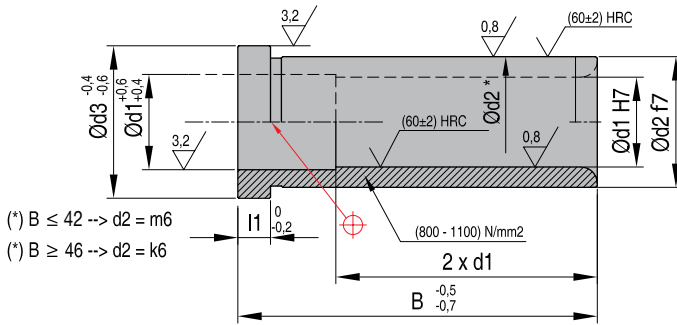
| REF d2 x d1 x B x L | REF d2 x d1 x B x L | d2 | d3 | d4 | l2 | l5 |
|---------------------|---------------------|----|----|-----|-----|----|
| K7711 16x11x20x30 | K7711 16x10x20x30 | 16 | 20 | M6 | 3,5 | 12 |
| K7711 20x15x30x30 | K7711 20x14x30x30 | 20 | 25 | M8 | 6,0 | 16 |
| K7711 20x15x30x60 | K7711 20x14x30x60 | 20 | 25 | M8 | 6,0 | 16 |
| K7711 20x15x30x100 | K7711 20x14x30x100 | 20 | 25 | M8 | 6,0 | 16 |
| K7711 25x19x30x30 | K7711 25x18x30x30 | 25 | 31 | M10 | 6,0 | 20 |
| K7711 25x19x30x60 | K7711 25x18x30x60 | 25 | 31 | M10 | 6,0 | 20 |
| K7711 25x19x30x80 | K7711 25x18x30x80 | 25 | 31 | M10 | 6,0 | 20 |
| K7711 25x19x30x100 | K7711 25x18x30x100 | 25 | 31 | M10 | 6,0 | 20 |
| K7711 25x19x40x40 | K7711 25x18x40x40 | 25 | 31 | M10 | 6,0 | 20 |
| K7711 25x19x40x120 | K7711 25x18x40x120 | 25 | 31 | M10 | 6,0 | 20 |
| K7711 32x24x40x40 | K7711 32x23x40x40 | 32 | 38 | M12 | 6,0 | 22 |
| K7711 32x24x40x120 | K7711 32x23x40x120 | 32 | 38 | M12 | 6,0 | 22 |
| K7711 32x24x40x140 | K7711 32x23x40x140 | 32 | 38 | M12 | 6,0 | 22 |

CAD reference point

Leader pin bushings

Mat.: 1.7131

K7661

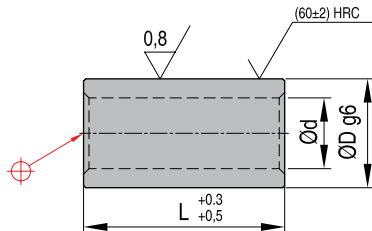


| REF d2 x d1 x B | REF d2 x d1 x B | d2 | d3 | H7 |
|-----------------|-----------------|----|----|----|
| K7661 20x15x32 | K7661 20x14x32 | 20 | 25 | 6 |
| K7661 25x19x42 | K7661 25x18x42 | 25 | 31 | 6 |
| K7661 32x24x52 | K7661 32x23x52 | 32 | 36 | 6 |
| K7661 32x24x62 | K7661 32x23x62 | 32 | 36 | 6 |

Locating sleeves

Mat.: 1.7131

K7731



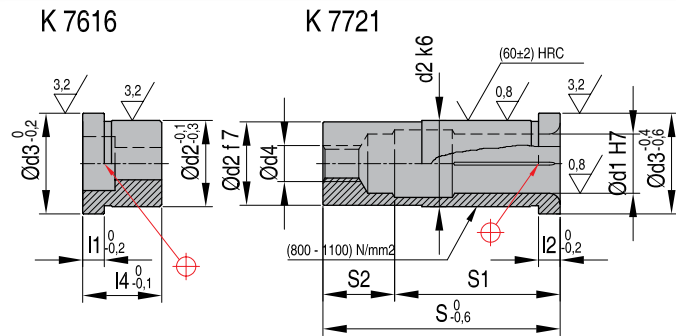
| REF D x L | D | d | REF D x L | D | d |
|-------------|----|----|--------------|----|----|
| K7731 20x15 | 20 | 16 | K7731 25x50 | 25 | 21 |
| K7731 20x20 | 20 | 16 | K7731 25x60 | 25 | 21 |
| K7731 20x25 | 20 | 16 | K7731 25x70 | 25 | 21 |
| K7731 20x30 | 20 | 16 | K7731 25x80 | 25 | 21 |
| K7731 20x35 | 20 | 16 | K7731 25x90 | 25 | 21 |
| K7731 20x40 | 20 | 16 | K7731 25x100 | 25 | 21 |
| K7731 20x45 | 20 | 16 | K7731 25x120 | 25 | 21 |
| K7731 20x50 | 20 | 16 | K7731 32x30 | 32 | 26 |
| K7731 20x60 | 20 | 16 | K7731 32x50 | 32 | 26 |
| K7731 20x70 | 20 | 16 | K7731 32x60 | 32 | 26 |
| K7731 20x80 | 20 | 16 | K7731 32x70 | 32 | 26 |
| K7731 25x20 | 25 | 21 | K7731 32x80 | 32 | 26 |
| K7731 25x25 | 25 | 21 | K7731 32x95 | 32 | 26 |
| K7731 25x30 | 25 | 21 | K7731 32x100 | 32 | 26 |
| K7731 25x35 | 25 | 21 | K7731 32x120 | 32 | 26 |
| K7731 25x40 | 25 | 21 | K7731 32x140 | 32 | 26 |
| K7731 25x45 | 25 | 21 | | | |

CAD reference point

K7721 + K7616

Leader pins bushings+shoulder plates

Mat.: 1.7131

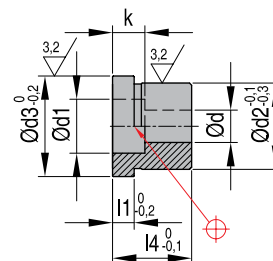


| REF d2 x d1 x S | REF d2 x d1 x S | d3 | d4 | l2 | s1 | s2 |
|-----------------|-----------------|----|------|-----|----|----|
| K7721 16x11x60 | K7721 16x10x60 | 20 | M6 | 3,5 | 50 | 10 |
| K7721 20x15x50 | K7721 20x14x50 | 25 | M8 | 6,0 | 40 | 10 |
| K7721 20x15x60 | K7721 20x14x60 | 25 | M8 | 6,0 | 50 | 10 |
| K7721 20x15x70 | K7721 20x14x70 | 25 | M8 | 6,0 | 60 | 10 |
| K7721 20x15x80 | K7721 20x14x80 | 25 | M8 | 6,0 | 70 | 10 |
| K7721 25x19x60 | K7721 25x18x60 | 31 | M 10 | 6,0 | 46 | 14 |
| K7721 25x19x70 | K7721 25x18x70 | 31 | M 10 | 6,0 | 56 | 14 |
| K7721 25x19x80 | K7721 25x18x80 | 31 | M 10 | 6,0 | 66 | 14 |
| K7721 25x19x90 | K7721 25x18x90 | 31 | M 10 | 6,0 | 76 | 14 |
| K7721 32x24x70 | K7721 32x23x70 | 38 | M 12 | 6,0 | 54 | 16 |
| K7721 32x24x85 | K7721 32x23x85 | 38 | M 12 | 6,0 | 67 | 18 |
| K7721 32x24x105 | K7721 32x23x105 | 38 | M 12 | 6,0 | 86 | 19 |
| K7721 32x24x110 | K7721 32x23x110 | 38 | M 12 | 6,0 | 91 | 19 |

K7616

Shoulder plates

Mat.: 1.7131



| REF | d | d1 | d2 | d3 | l1 | l4 | K |
|----------|------|----|----|----|-----|----|------|
| K7616x16 | 6,6 | 11 | 16 | 20 | 3,5 | 10 | 6,8 |
| K7616x20 | 9,0 | 15 | 20 | 25 | 6,0 | 11 | 8,5 |
| K7616x25 | 11,0 | 18 | 25 | 31 | 6,0 | 15 | 10,5 |
| K7616x32 | 13,5 | 20 | 32 | 38 | 6,0 | 19 | 12,5 |

CAD reference point