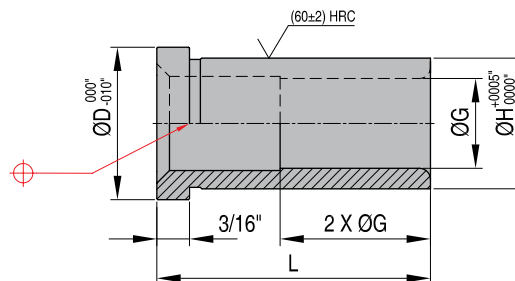




MILACRON®

## Колонки и втулки дюймовые





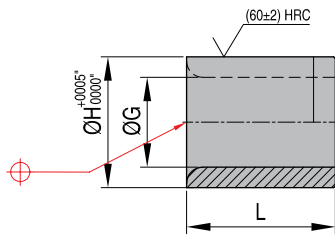
| REF  | G      | L      | H       | D      |
|------|--------|--------|---------|--------|
| 5700 | 3/4"   | 7/8"   | 1.1255" | 1.302" |
| 5701 | 3/4"   | 1 3/8" | 1.1255" | 1.302" |
| 5702 | 3/4"   | 1 7/8" | 1.1255" | 1.302" |
| 5703 | 3/4"   | 2 3/8" | 1.1255" | 1.302" |
| 5704 | 3/4"   | 2 7/8" | 1.1255" | 1.302" |
| 5705 | 3/4"   | 3 3/8" | 1.1255" | 1.302" |
| 5706 | 3/4"   | 3 7/8" | 1.1255" | 1.302" |
| 5707 | 3/4"   | 4 3/8" | 1.1255" | 1.302" |
| 5708 | 3/4"   | 4 7/8" | 1.1255" | 1.302" |
| 5709 | 3/4"   | 5 7/8" | 1.1255" | 1.302" |
| 5710 | 7/8"   | 7/8"   | 1.2505" | 1.427" |
| 5711 | 7/8"   | 1 3/8" | 1.2505" | 1.427" |
| 5712 | 7/8"   | 1 7/8" | 1.2505" | 1.427" |
| 5713 | 7/8"   | 2 3/8" | 1.2505" | 1.427" |
| 5714 | 7/8"   | 2 7/8" | 1.2505" | 1.427" |
| 5715 | 7/8"   | 3 3/8" | 1.2505" | 1.427" |
| 5716 | 7/8"   | 3 7/8" | 1.2505" | 1.427" |
| 5717 | 7/8"   | 4 3/8" | 1.2505" | 1.427" |
| 5718 | 7/8"   | 4 7/8" | 1.2505" | 1.427" |
| 5720 | 7/8"   | 5 7/8" | 1.2505" | 1.427" |
| 5730 | 1"     | 7/8"   | 1.3755" | 1.552" |
| 5731 | 1"     | 1 3/8" | 1.3755" | 1.552" |
| 5732 | 1"     | 1 7/8" | 1.3755" | 1.552" |
| 5733 | 1"     | 2 3/8" | 1.3755" | 1.552" |
| 5734 | 1"     | 2 7/8" | 1.3755" | 1.552" |
| 5735 | 1"     | 3 3/8" | 1.3755" | 1.552" |
| 5736 | 1"     | 3 7/8" | 1.3755" | 1.552" |
| 5737 | 1"     | 4 3/8" | 1.3755" | 1.552" |
| 5738 | 1"     | 4 7/8" | 1.3755" | 1.552" |
| 5740 | 1"     | 5 7/8" | 1.3755" | 1.552" |
| 5750 | 1 1/4" | 7/8"   | 1.6255" | 1.802" |
| 5751 | 1 1/4" | 1 3/8" | 1.6255" | 1.802" |
| 5752 | 1 1/4" | 1 7/8" | 1.6255" | 1.802" |
| 5753 | 1 1/4" | 2 3/8" | 1.6255" | 1.802" |

| REF  | G      | L      | H       | D      |
|------|--------|--------|---------|--------|
| 5754 | 1 1/4" | 2 7/8" | 1.6255" | 1.802" |
| 5755 | 1 1/4" | 3 3/8" | 1.6255" | 1.802" |
| 5756 | 1 1/4" | 3 7/8" | 1.6255" | 1.802" |
| 5757 | 1 1/4" | 4 3/8" | 1.6255" | 1.802" |
| 5758 | 1 1/4" | 4 7/8" | 1.6255" | 1.802" |
| 5760 | 1 1/4" | 5 7/8" | 1.6255" | 1.802" |
| 5770 | 1 1/2" | 7/8"   | 2.0005" | 2.177" |
| 5771 | 1 1/2" | 1 3/8" | 2.0005" | 2.177" |
| 5772 | 1 1/2" | 1 7/8" | 2.0005" | 2.177" |
| 5773 | 1 1/2" | 2 3/8" | 2.0005" | 2.177" |
| 5774 | 1 1/2" | 2 7/8" | 2.0005" | 2.177" |
| 5775 | 1 1/2" | 3 3/8" | 2.0005" | 2.177" |
| 5776 | 1 1/2" | 3 7/8" | 2.0005" | 2.177" |
| 5777 | 1 1/2" | 4 3/8" | 2.0005" | 2.177" |
| 5778 | 1 1/2" | 4 7/8" | 2.0005" | 2.177" |
| 5780 | 1 1/2" | 5 7/8" | 2.0005" | 2.177" |
| 5901 | 2"     | 1 3/8" | 2.5005" | 2.677" |
| 5902 | 2"     | 1 7/8" | 2.5005" | 2.677" |
| 5903 | 2"     | 2 3/8" | 2.5005" | 2.677" |
| 5904 | 2"     | 2 7/8" | 2.5005" | 2.677" |
| 5905 | 2"     | 3 3/8" | 2.5005" | 2.677" |
| 5906 | 2"     | 3 7/8" | 2.5005" | 2.677" |
| 5907 | 2"     | 4 3/8" | 2.5005" | 2.677" |
| 5908 | 2"     | 4 7/8" | 2.5005" | 2.677" |
| 5910 | 2"     | 5 7/8" | 2.5005" | 2.677" |
| 5951 | 2 1/2" | 1 3/8" | 3.2505" | 3.427" |
| 5952 | 2 1/2" | 1 7/8" | 3.2505" | 3.427" |
| 5953 | 2 1/2" | 2 3/8" | 3.2505" | 3.427" |
| 5954 | 2 1/2" | 2 7/8" | 3.2505" | 3.427" |
| 5955 | 2 1/2" | 3 3/8" | 3.2505" | 3.427" |
| 5956 | 2 1/2" | 3 7/8" | 3.2505" | 3.427" |
| 5957 | 2 1/2" | 4 3/8" | 3.2505" | 3.427" |
| 5958 | 2 1/2" | 4 7/8" | 3.2505" | 3.427" |
| 5960 | 2 1/2" | 5 7/8" | 3.2505" | 3.427" |

Leader pins

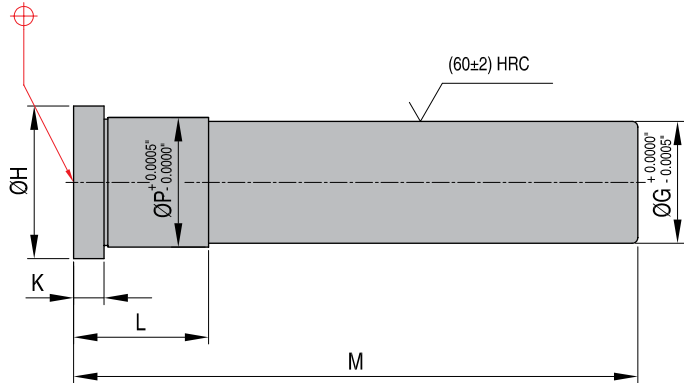
Mat.: C1117 - USA

5500 - 5510



| REF  | G      | L        | H       |
|------|--------|----------|---------|
| 5500 | 0,750" | 27/32"   | 1.1255" |
| 5501 | 0,750" | 1 11/32" | 1.1255" |
| 5502 | 0,875" | 1 11/32" | 1.2505" |
| 5503 | 1,000" | 1 11/32" | 1.3755" |
| 5504 | 1,250" | 1 11/32" | 1.6255" |
| 5505 | 1,250" | 1 27/32" | 1.6255" |
| 5506 | 1,500" | 1 11/32" | 2.0005" |
| 5507 | 1,500" | 1 27/32" | 2.0005" |
| 5508 | 2,000" | 3 7/8"   | 2.5005" |
| 5509 | 2,500" | 4 7/8"   | 3.2505" |
| 5510 | 3,000" | 4 7/8"   | 3.7505" |





| REF     | G    | M       | L      | H      | K     | P      |
|---------|------|---------|--------|--------|-------|--------|
| 5000 GL | 3/4" | 1 3/4"  | 7/8"   | 0,99"  | 3/16" | 0,751" |
| 5001 GL | 3/4" | 2 1/4"  | 7/8"   | 0,99"  | 3/16" | 0,751" |
| 5002 GL | 3/4" | 2 3/4"  | 7/8"   | 0,99"  | 3/16" | 0,751" |
| 5003 GL | 3/4" | 3 1/4"  | 7/8"   | 0,99"  | 3/16" | 0,751" |
| 5004 GL | 3/4" | 3 3/4"  | 7/8"   | 0,99"  | 3/16" | 0,751" |
| 5005 GL | 3/4" | 4 1/4"  | 1 3/8" | 0,99"  | 3/16" | 0,751" |
| 5006 GL | 3/4" | 4 3/4"  | 1 3/8" | 0,99"  | 3/16" | 0,751" |
| 5007 GL | 3/4" | 5 1/4"  | 1 3/8" | 0,99"  | 3/16" | 0,751" |
| 5008 GL | 3/4" | 5 3/4"  | 1 7/8" | 0,99"  | 3/16" | 0,751" |
| 5009 GL | 3/4" | 6 1/4"  | 1 7/8" | 0,99"  | 3/16" | 0,751" |
| 5010 GL | 3/4" | 6 3/4"  | 1 7/8" | 0,99"  | 3/16" | 0,751" |
| 5011 GL | 3/4" | 7 1/4"  | 1 7/8" | 0,99"  | 3/16" | 0,751" |
| 5012 GL | 3/4" | 7 3/4"  | 1 7/8" | 0,99"  | 3/16" | 0,751" |
| 5015 GL | 3/4" | 9 1/4"  | 1 7/8" | 1,115" | 3/16" | 0,751" |
| 5099 GL | 7/8" | 1 3/4"  | 1 7/8" | 1,115" | 1/4"  | 0,876" |
| 5100 GL | 7/8" | 2 1/4"  | 1 7/8" | 1,115" | 1/4"  | 0,876" |
| 5101 GL | 7/8" | 2 3/4"  | 1 7/8" | 1,115" | 1/4"  | 0,876" |
| 5102 GL | 7/8" | 3 1/4"  | 1 7/8" | 1,115" | 1/4"  | 0,876" |
| 5103 GL | 7/8" | 3 3/4"  | 1 7/8" | 1,115" | 1/4"  | 0,876" |
| 5104 GL | 7/8" | 4 1/4"  | 1 3/8" | 1,115" | 1/4"  | 0,876" |
| 5105 GL | 7/8" | 4 3/4"  | 1 3/8" | 1,115" | 1/4"  | 0,876" |
| 5106 GL | 7/8" | 5 1/4"  | 1 3/8" | 1,115" | 1/4"  | 0,876" |
| 5107 GL | 7/8" | 5 3/4"  | 1 3/8" | 1,115" | 1/4"  | 0,876" |
| 5108 GL | 7/8" | 6 1/4"  | 1 7/8" | 1,115" | 1/4"  | 0,876" |
| 5109 GL | 7/8" | 6 3/4"  | 1 7/8" | 1,115" | 1/4"  | 0,876" |
| 5110 GL | 7/8" | 7 1/4"  | 1 7/8" | 1,115" | 1/4"  | 0,876" |
| 5111 GL | 7/8" | 7 3/4"  | 1 7/8" | 1,115" | 1/4"  | 0,876" |
| 5112 GL | 7/8" | 8 1/4"  | 1 7/8" | 1,115" | 1/4"  | 0,876" |
| 5113 GL | 7/8" | 8 3/4"  | 1 7/8" | 1,115" | 1/4"  | 0,876" |
| 5117 GL | 7/8" | 10 3/4" | 1 7/8" | 1,115" | 1/4"  | 0,876" |
| 5120 GL | 7/8" | 12 1/4" | 1 7/8" | 1,115" | 1/4"  | 0,876" |
| 5198 GL | 1"   | 1 3/4"  | 1 7/8" | 1,240" | 1/4"  | 1,001" |
| 5199 GL | 1"   | 2 1/4"  | 1 7/8" | 1,240" | 1/4"  | 1,001" |
| 5200 GL | 1"   | 2 3/4"  | 1 7/8" | 1,240" | 1/4"  | 1,001" |
| 5201 GL | 1"   | 3 1/4"  | 1 7/8" | 1,240" | 1/4"  | 1,001" |
| 5202 GL | 1"   | 3 3/4"  | 1 7/8" | 1,240" | 1/4"  | 1,001" |
| 5203 GL | 1"   | 4 1/4"  | 1 3/8" | 1,240" | 1/4"  | 1,001" |
| 5204 GL | 1"   | 4 3/4"  | 1 3/8" | 1,240" | 1/4"  | 1,001" |
| 5205 GL | 1"   | 5 1/4"  | 1 3/8" | 1,240" | 1/4"  | 1,001" |
| 5206 GL | 1"   | 5 3/4"  | 1 3/8" | 1,240" | 1/4"  | 1,001" |
| 5207 GL | 1"   | 6 1/4"  | 1 3/8" | 1,240" | 1/4"  | 1,001" |
| 5208 GL | 1"   | 6 3/4"  | 1 7/8" | 1,240" | 1/4"  | 1,001" |
| 5209 GL | 1"   | 7 1/4"  | 1 7/8" | 1,240" | 1/4"  | 1,001" |

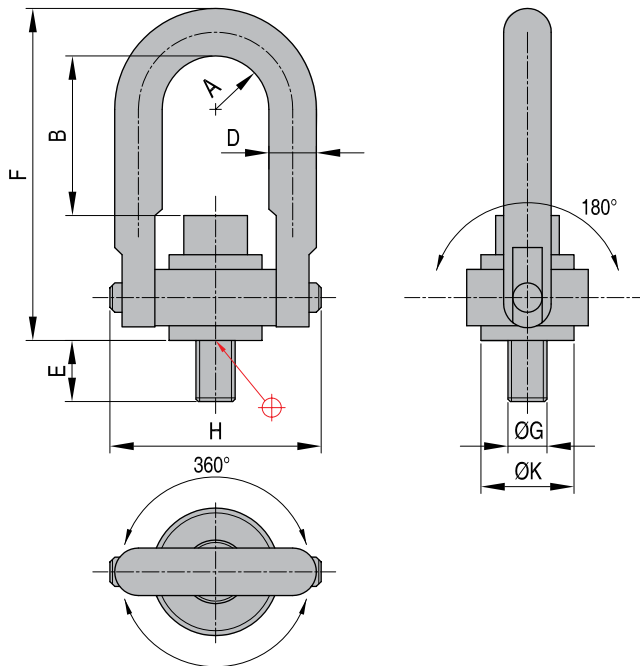
| REF     | G      | M       | L      | H      | K     | P      |
|---------|--------|---------|--------|--------|-------|--------|
| 5210 GL | 1"     | 7 3/4"  | 1 7/8" | 1,240" | 1/4"  | 1,001" |
| 5211 GL | 1"     | 8 1/4"  | 1 7/8" | 1,240" | 1/4"  | 1,001" |
| 5212 GL | 1"     | 8 3/4"  | 1 7/8" | 1,240" | 1/4"  | 1,001" |
| 5213 GL | 1"     | 9 1/4"  | 1 7/8" | 1,240" | 1/4"  | 1,001" |
| 5214 GL | 1"     | 9 3/4"  | 1 7/8" | 1,240" | 1/4"  | 1,001" |
| 5215 GL | 1"     | 10 1/4" | 1 7/8" | 1,240" | 1/4"  | 1,001" |
| 5216 GL | 1"     | 10 3/4" | 1 7/8" | 1,240" | 1/4"  | 1,001" |
| 5217 GL | 1"     | 11 1/4" | 1 7/8" | 1,240" | 1/4"  | 1,001" |
| 5218 GL | 1"     | 11 3/4" | 1 7/8" | 1,240" | 1/4"  | 1,001" |
| 5219 GL | 1"     | 12 1/4" | 1 7/8" | 1,240" | 1/4"  | 1,001" |
| 5300 GL | 1 1/4" | 2 3/4"  | 7/8"   | 1,490" | 5/16" | 1,251" |
| 5301 GL | 1 1/4" | 3 1/4"  | 7/8"   | 1,490" | 5/16" | 1,251" |
| 5302 GL | 1 1/4" | 3 3/4"  | 7/8"   | 1,490" | 5/16" | 1,251" |
| 5303 GL | 1 1/4" | 4 1/4"  | 7/8"   | 1,490" | 5/16" | 1,251" |
| 5304 GL | 1 1/4" | 4 3/4"  | 1 3/8" | 1,490" | 5/16" | 1,251" |
| 5305 GL | 1 1/4" | 5 1/4"  | 1 3/8" | 1,490" | 5/16" | 1,251" |
| 5306 GL | 1 1/4" | 5 3/4"  | 1 3/8" | 1,490" | 5/16" | 1,251" |
| 5307 GL | 1 1/4" | 6 1/4"  | 1 3/8" | 1,490" | 5/16" | 1,251" |
| 5308 GL | 1 1/4" | 6 3/4"  | 1 7/8" | 1,490" | 5/16" | 1,251" |
| 5309 GL | 1 1/4" | 7 1/4"  | 1 7/8" | 1,490" | 5/16" | 1,251" |
| 5310 GL | 1 1/4" | 7 3/4"  | 1 7/8" | 1,490" | 5/16" | 1,251" |
| 5311 GL | 1 1/4" | 8 1/4"  | 1 7/8" | 1,490" | 5/16" | 1,251" |
| 5312 GL | 1 1/4" | 8 3/4"  | 1 7/8" | 1,490" | 5/16" | 1,251" |
| 5313 GL | 1 1/4" | 9 1/4"  | 1 7/8" | 1,490" | 5/16" | 1,251" |
| 5314 GL | 1 1/4" | 9 3/4"  | 1 7/8" | 1,490" | 5/16" | 1,251" |
| 5315 GL | 1 1/4" | 10 1/4" | 1 7/8" | 1,490" | 5/16" | 1,251" |
| 5316 GL | 1 1/4" | 10 3/4" | 1 7/8" | 1,490" | 5/16" | 1,251" |
| 5317 GL | 1 1/4" | 11 1/4" | 1 7/8" | 1,490" | 5/16" | 1,251" |
| 5318 GL | 1 1/4" | 11 3/4" | 1 7/8" | 1,490" | 5/16" | 1,251" |
| 5319 GL | 1 1/4" | 12 1/4" | 1 7/8" | 1,490" | 5/16" | 1,251" |
| 5320 GL | 1 1/4" | 12 3/4" | 1 7/8" | 1,490" | 5/16" | 1,251" |
| 5322 GL | 1 1/4" | 13 3/4" | 1 7/8" | 1,490" | 5/16" | 1,251" |
| 5324 GL | 1 1/4" | 14 3/4" | 1 7/8" | 1,490" | 5/16" | 1,251" |
| 5326 GL | 1 1/4" | 15 3/4" | 1 7/8" | 1,490" | 5/16" | 1,251" |
| 5402 GL | 1 1/4" | 3 3/4"  | 1 3/8" | 1,490" | 5/16" | 1,251" |
| 5403 GL | 1 1/2" | 4 1/4"  | 1 3/8" | 1,740" | 5/16" | 1,501" |
| 5404 GL | 1 1/2" | 4 3/4"  | 1 3/8" | 1,740" | 5/16" | 1,501" |
| 5405 GL | 1 1/2" | 5 1/4"  | 1 3/8" | 1,740" | 5/16" | 1,501" |
| 5406 GL | 1 1/2" | 5 3/4"  | 1 3/8" | 1,740" | 5/16" | 1,501" |
| 5407 GL | 1 1/2" | 6 1/4"  | 1 3/8" | 1,740" | 5/16" | 1,501" |
| 5408 GL | 1 1/2" | 6 3/4"  | 1 3/8" | 1,740" | 5/16" | 1,501" |
| 5410 GL | 1 1/2" | 7 3/4"  | 1 7/8" | 1,740" | 5/16" | 1,501" |
| 5412 GL | 1 1/2" | 8 3/4"  | 1 7/8" | 1,740" | 5/16" | 1,501" |

| REF     | G      | M       | L      | H      | K     | P      |
|---------|--------|---------|--------|--------|-------|--------|
| 5414 GL | 1 1/2" | 9 3/4"  | 1 7/8" | 1,740" | 5/16" | 1,501" |
| 5416 GL | 1 1/2" | 10 3/4" | 1 7/8" | 1,740" | 5/16" | 1,501" |
| 5418 GL | 1 1/2" | 11 3/4" | 1 7/8" | 1,740" | 5/16" | 1,501" |
| 5420 GL | 1 1/2" | 12 3/4" | 1 7/8" | 1,740" | 5/16" | 1,501" |
| 5422 GL | 1 1/2" | 13 3/4" | 1 7/8" | 1,740" | 5/16" | 1,501" |
| 5424 GL | 1 1/2" | 14 3/4" | 1 7/8" | 1,740" | 5/16" | 1,501" |
| 5626 GL | 2"     | 15 3/4" | 1 7/8" | 2,240" | 5/16" | 2,001" |
| 5606 GL | 2"     | 5 3/4"  | 1 7/8" | 2,240" | 5/16" | 2,001" |
| 5608 GL | 2"     | 6 3/4"  | 1 7/8" | 2,240" | 5/16" | 2,001" |
| 5610 GL | 2"     | 7 3/4"  | 1 7/8" | 2,240" | 5/16" | 2,001" |
| 5612 GL | 2"     | 8 3/4"  | 1 7/8" | 2,240" | 5/16" | 2,001" |
| 5614 GL | 2"     | 9 3/4"  | 1 7/8" | 2,240" | 5/16" | 2,001" |
| 5616 GL | 2"     | 10 3/4" | 1 7/8" | 2,240" | 5/16" | 2,001" |
| 5618 GL | 2"     | 11 3/4" | 1 7/8" | 2,240" | 5/16" | 2,001" |
| 5620 GL | 2"     | 12 3/4" | 1 7/8" | 2,240" | 5/16" | 2,001" |
| 5622 GL | 2"     | 13 3/4" | 1 7/8" | 2,240" | 5/16" | 2,001" |
| 5624 GL | 2"     | 14 3/4" | 1 7/8" | 2,240" | 5/16" | 2,001" |
| 5626 GL | 2"     | 15 3/4" | 1 7/8" | 2,240" | 5/16" | 2,001" |
| 5632 GL | 2"     | 18 3/4" | 1 7/8" | 2,240" | 5/16" | 2,001" |
| 5806 GL | 2 1/2" | 5 3/4"  | 2 3/8" | 2,740" | 5/16" | 2,501" |
| 5808 GL | 2 1/2" | 6 3/4"  | 2 3/8" | 2,740" | 5/16" | 2,501" |
| 5810 GL | 2 1/2" | 7 3/4"  | 2 3/8" | 2,740" | 5/16" | 2,501" |
| 5812 GL | 2 1/2" | 8 3/4"  | 2 3/8" | 2,740" | 5/16" | 2,501" |
| 5814 GL | 2 1/2" | 9 3/4"  | 2 3/8" | 2,740" | 5/16" | 2,501" |
| 5816 GL | 2 1/2" | 10 3/4" | 2 3/8" | 2,740" | 5/16" | 2,501" |
| 5818 GL | 2 1/2" | 11 3/4" | 2 3/8" | 2,740" | 5/16" | 2,501" |
| 5820 GL | 2 1/2" | 12 3/4" | 2 3/8" | 2,740" | 5/16" | 2,501" |
| 5822 GL | 2 1/2" | 13 3/4" | 2 3/8" | 2,740" | 5/16" | 2,501" |
| 5824 GL | 2 1/2" | 14 3/4" | 2 3/8" | 2,740" | 5/16" | 2,501" |
| 5826 GL | 2 1/2" | 15 3/4" | 2 3/8" | 2,740" | 5/16" | 2,501" |
| 5828 GL | 2 1/2" | 16 3/4" | 2 3/8" | 2,740" | 5/16" | 2,501" |
| 5832 GL | 2 1/2" | 18 3/4" | 2 3/8" | 2,740" | 5/16" | 2,501" |
| 6012 GL | 3"     | 8 3/4"  | 2 1/8" | 3,365" | 1/2"  | 3,001" |
| 6016 GL | 3"     | 10 3/4" | 2 1/8" | 3,365" | 1/2"  | 3,001" |
| 6020 GL | 3"     | 12 3/4" | 2 1/8" | 3,365" | 1/2"  | 3,001" |
| 6024 GL | 3"     | 14 3/4" | 2 1/8" | 3,365" | 1/2"  | 3,001" |
| 6028 GL | 3"     | 16 3/4" | 2 1/8" | 3,365" | 1/2"  | 3,001" |
| 6032 GL | 3"     | 18 3/4" | 2 1/8" | 3,365" | 1/2"  | 3,001" |

CAD reference point

Hoist rings - CE

SHR - SHRR



| REF                                | A       | B        | D    | E      | F    | G        | H    | K    | TL (Kgm) | P (Kg) | W (Kg) |
|------------------------------------|---------|----------|------|--------|------|----------|------|------|----------|--------|--------|
| SHR 0001                           | 0,43    | 1 1/4"   | 0,38 | 9/16   | 2,67 | 5/16"-18 | 1,84 | 0,75 | 1        | 360    | 0,15   |
| SHR 0002                           | 0,43    | 1 1/4"   | 0,38 | 9/16   | 2,67 | 3/8"-16  | 1,84 | 0,75 | 1,6      | 450    | 0,15   |
| SHR 0003                           | 0,88    | 2 3/8"   | 0,75 | 3/4    | 4,78 | 1/2"-13  | 3,52 | 1,5  | 3,8      | 1130   | 1,05   |
| SHR 0004                           | 0,88    | 2 1/4"   | 0,75 | 1      | 4,78 | 5/8"-11  | 3,52 | 1,5  | 8,3      | 1810   | 1,10   |
| SHR 0005                           | 0,88    | 2 1/8"   | 0,75 | 1      | 4,78 | 3/4"-10  | 3,52 | 1,5  | 13,8     | 2260   | 1,16   |
| SHR 0006                           | 1,44    | 2 11/16" | 1    | 1 1/2" | 6,52 | 1-8      | 5,14 | 2,31 | 31,7     | 4525   | 3,17   |
| SHR 0007                           | 1,75    | 4 1/4"   | 1,25 | 1 7/8" | 8,73 | 1 1/4"-7 | 6,5  | 3,19 | 64,8     | 6785   | 6,34   |
| Repair kit - screw & retainer ring |         |          |      |        |      |          |      |      |          |        |        |
| REF                                | G       |          |      |        |      |          |      |      |          |        |        |
| SHRR 0001                          | 5/16-18 |          |      |        |      |          |      |      |          |        |        |
| SHRR 0002                          | 3/8-16  |          |      |        |      |          |      |      |          |        |        |
| SHRR 0003                          | 1/2-13  |          |      |        |      |          |      |      |          |        |        |
| SHRR 0004                          | 5/8-11  |          |      |        |      |          |      |      |          |        |        |
| SHRR 0005                          | 3/4-10  |          |      |        |      |          |      |      |          |        |        |
| SHRR 0006                          | 1-8     |          |      |        |      |          |      |      |          |        |        |
| SHRR 0007                          | 1 1/4-7 |          |      |        |      |          |      |      |          |        |        |

**Features**

- Pivots and swivels to compensate for pitch, roll and sway when lifting heavy or unbalanced loads
- High strength alloy steel with minimum tensile strenght of 1,250 MPa (125 kg/mm<sup>2</sup>)
- Certified heat treatment with 100% Magnaflux inspection
- Corrosion resistant plating
- Maximum operating temperature 200°C
- Safety factor is 5 times the rated load in any direction

**Note**

- standard tolerance: ±0,8 mm
- E=the use of spacers between bushing flange and mounting surface is not recommended as this will reduce the safety load rating
- TL=recommended torque load +25% - 0
- P=rated
- W=weight

CAD reference point

