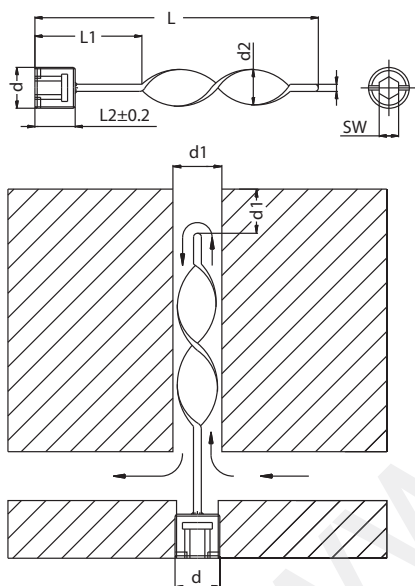


HSEP M

Перегородка спиральная с резьбой / Threadless Plug Baffles

Материал / Material
Латунь MS58 / MS58 Brass



| Метрическая резьба | d | SW | d1 | d2 | L | L1 | L2 | k |
|--------------------|--------|----|----|------|-----|-----|----|-----|
| Артикул / Order No | | | | | | | | |
| HSEP M8.100 | 8x0.75 | 4 | 6 | 5.8 | 100 | 50 | 8 | 1.6 |
| HSEP M8.200 | 8x0.75 | 4 | 6 | 5.8 | 200 | 100 | 8 | 1.6 |
| HSEP M8.300 | 8x0.75 | 4 | 6 | 5.8 | 300 | 150 | 8 | 1.6 |
| HSEP M10.100 | 10x1.0 | 5 | 8 | 7.8 | 100 | 50 | 8 | 1.6 |
| HSEP M10.100.1.5 | 10x1.5 | 5 | 8 | 7.8 | 100 | 50 | 8 | 1.6 |
| HSEP M10.200 | 10x1.0 | 5 | 8 | 7.8 | 200 | 100 | 8 | 1.6 |
| HSEP M10.300 | 10x1.0 | 5 | 8 | 7.8 | 300 | 150 | 8 | 1.6 |
| HSEP M12.125 | 12x1.5 | 6 | 10 | 9.8 | 125 | 50 | 8 | 2.0 |
| HSEP M12.250 | 12x1.5 | 6 | 10 | 9.8 | 250 | 100 | 8 | 2.0 |
| HSEP M16.150 | 16x1.5 | 8 | 14 | 13.8 | 150 | 50 | 10 | 2.4 |
| HSEP M16.300 | 16x1.5 | 8 | 14 | 13.8 | 300 | 100 | 10 | 2.4 |
| HSEP M20.150 | 20x1.5 | 10 | 18 | 17.8 | 150 | 50 | 10 | 2.4 |
| HSEP M20.200 | 20x1.5 | 10 | 18 | 17.8 | 200 | 100 | 10 | 2.4 |
| HSEP M20.300 | 20x1.5 | 10 | 18 | 17.8 | 300 | 50 | 10 | 2.4 |
| HSEP M20.400 | 20x1.5 | 10 | 18 | 17.8 | 400 | 100 | 10 | 2.4 |
| HSEP M24.150 | 24x2.0 | 10 | 20 | 19.8 | 150 | 50 | 12 | 2.4 |
| HSEP M24.300 | 24x2.0 | 10 | 20 | 19.8 | 300 | 100 | 12 | 2.4 |