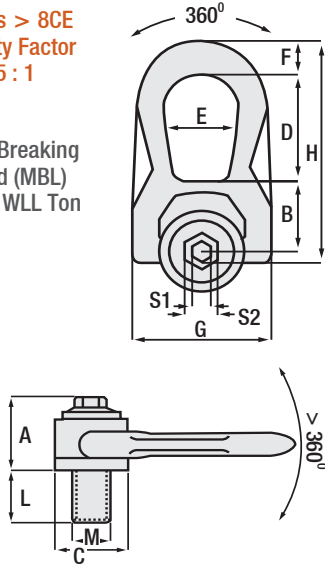


Double Swivel Ring - Eyebolt

Code: **AK400**

Class > 8CE
Safety Factor
5 : 1

Min. Breaking
Load (MBL)
= 5 x WLL Ton



Lifting equipment manufactured as forging in Turkey, has been registered that its production quality is in European standards with "Approval of Material Manufacturer" certificate given by Germanischer Lloyd.



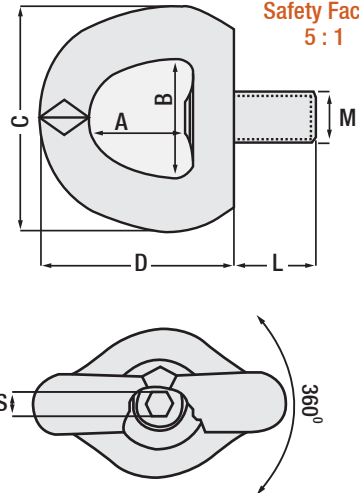
Code: **AK400**



Heavy Tonnage Swivel Ring Eyebolt

Code: **AK450**

Class > 8CE
Safety Factor
5 : 1



p : Load / Capacity Eyebolt

Code: **AK450**

M	L	S1	S2	A	B	C	D	E	F	G	H
M8	15	8	16	33	30	30	27	29	14	53	85
M10	20	8	16	33	30	30	27	29	14	53	85
M12	20	8	16	33	30	30	27	29	14	53	85
M14	35	8	20	45	42	45	36	38	17	76	120
M16	35	8	20	45	42	45	36	38	17	76	120
M18	35	8	20	45	42	45	36	38	17	76	120
M20	35	8	20	45	42	45	36	38	17	76	120
M24	40	14	24	62	55	60	55	60	25	117	165
M30	40	14	24	62	55	60	55	60	25	117	165

M	L	S	A	B	C	D
M8	12	6	38	45	90	78
M10	15	6	38	45	90	78
M12	18	8	38	45	90	78
M16	27	8	38	45	90	78
M20	30	8	38	45	90	78
M24	36	14	58	70	134	115
M30	45	14	58	70	134	115
M36	54	14	88	94	190	166
M42	63	14	88	94	190	166
M48	68	19	88	94	190	166

Maximum Lifting Load (Safety Factor ≥ 5:1)

P=Ton

M							
M8	0.3	0.6	0.3	0.6	0.4	0.3	0.6
M10	0.6	1.2	0.6	1.2	0.8	0.6	1.3
M12	1.0	2.0	1.0	2.0	1.4	1.0	2.1
M14	1.3	2.6	1.3	2.6	1.8	1.3	2.7
M16	1.6	3.2	1.6	3.2	2.2	1.6	3.4
M18	2.0	4.0	2.0	4.0	2.8	2.0	4.2
M20	2.5	5.0	2.5	5.0	3.5	2.5	5.3
M24	4.0	8.0	4.0	8.0	5.6	4.0	8.4
M30	6.3	12.6	6.3	12.6	8.8	6.3	13.2

Maximum Lifting Load (Safety Factor ≥ 5:1)

P=Ton

M							
M8	0.3	0.6	0.3	0.6	0.4	0.3	0.6
M10	0.6	1.2	0.6	1.2	0.8	0.6	1.3
M12	1.0	2.0	1.0	2.0	1.4	1.0	2.1
M16	1.6	3.2	1.6	3.2	2.2	1.6	3.4
M20	2.5	5.0	2.5	5.0	3.5	2.5	5.3
M24	4.0	8.0	4.0	8.0	5.6	4.0	8.4
M30	6.3	12.6	6.3	12.6	8.8	6.3	13.2
M36	10.0	20.0	10.0	20.0	14.0	10.0	21.0
M42	12.5	25.0	12.5	25.0	17.5	12.5	26.3
M48	15.0	30.0	15.0	30.0	21.0	15.0	31.5



Order:
AK400. M

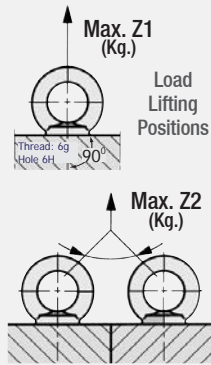
Material: Class > 8CE
Safety Certificated



Order:
AK450. M

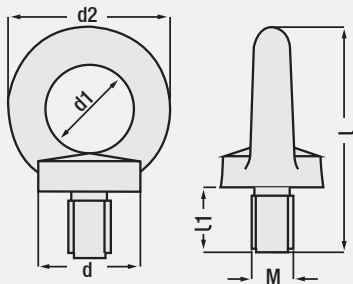
Material: Class > 8CE
Safety Certificated

CE



Lifting Eyebolt
DIN 580

Code: G141



Order: **G141. M**

Material: C15 Forged
EYEBOLT: Class > 8
EYENUT: Class > 8

Usage:
Standard: G141
Heavy Duty: AK-580C

Lifting Eyebolt: It is loaded only with forces making maximum 45° angle with vertical or circular plane, not allowed to other loadings, however such liftings are oftenly unavoidable. Please plan selection of eyebolt suitable to safety bearing in advance (its safety is provided).

Code: G141

M x Thread	d	d2	d1	l	l1	Weight	Z1 Ton	Z2 Ton
M8 x 1.25	20	36	20	49	13	70 gr.	0.15	0.09
M10 x 1.50	25	45	25	63	17	100 gr.	0.23	0.15
M12 x 1.75	30	54	30	73.5	20.5	180 gr.	0.34	0.20
M14 x 2.0	30	54	30	73.5	20.5	200 gr.	0.46	0.30
M16 x 2.0	35	63	35	89	27	280 gr.	0.70	0.50
M18 x 2.50	35	63	35	89	27	330 gr.	0.90	0.60
M20 x 2.50	40	72	40	101	30	420 gr.	1.20	0.80
M24 x 3.0	50	90	50	126	36	830 gr.	1.80	1.25
M30 x 3.50	65	108	60	154	45	1.66 kg.	3.60	2.50
M36 x 4.0	75	126	70	182	54	2.65 kg.	5.10	3.60
M42 x 4.50	85	144	80	210	63	4.03 kg.	7.00	4.90
M48 x 5.0	100	166	90	236	68	8.80 kg.	8.60	5.90



For Heavy Duty Parts

Order: **AK-582S EYENUT**

Order: **AK-580C EYEBOLT**



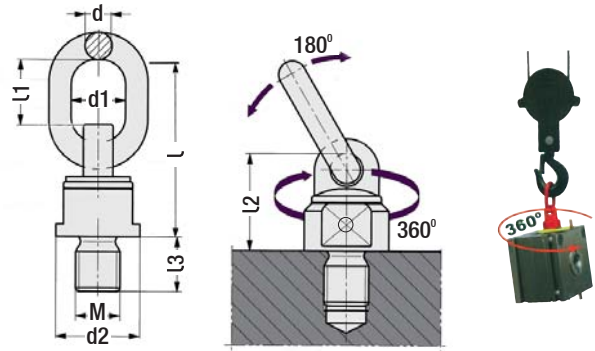
EYEBOLT (Heavy d.) AK - 580C: M27 / M30 / M36 / M42 / M45 / M48 / M56 / M60
EYENUT (Heavy d.) AK - 582S: M27 / M30 / M36 / M42 / M45 / M48 / M56 / M60

CE



Rotary Safety Eyebolt

Code: G140



Rotary Safety Eyebolt: By absorbing sudden and rigid motion during lifting - bending and breaking of sling / rope / chain that can be occurred due to swinging of load, it will amortise costs above possible damages with safety lifting and carrying. Special forged steel (class 8) product, 4 times safety against fracture in rotation direction of full load, hinged rotary design that can be taken correct position and be turned axially by aligning movable ring 180° in loaded position.

Code: G140

M x Thread	d	d1	d2	l	l1	l2	l3	Weight
M8 x 1.25	12	30	40	98	44	46	12	0.5 kg.
M10 x 1.50	12	30	40	98	44	46	19	0.5 kg.
M12 x 1.75	12	30	40	98	44	46	19	0.5 kg.
M16 x 2.0	12	30	40	98	44	46	31.8	0.5 kg.
M20 x 2.50	20	40	70	160	67	75	38.1	2.5 kg.
M24 x 3.0	20	40	70	160	67	75	38.1	2.5 kg.
M30 x 3.50	22	51	79	206	95	91	50	4.0 kg.
M36 x 4.0	22	51	79	206	95	91	54	4.0 kg.
M42 x 4.50	26	65	93	230.5	108	100.5	63	6.0 kg.
M48 x 5.0	26	65	93	230.5	108	100.5	68	6.0 kg.
M56 x 5.5	32	70	105	278	120	132	84	11.0 kg.
M64 x 6.0	32	70	105	278	120	132	95	11.0 kg.

Maximum Lifting Load (Safety Factor ≥ 5:1)

P=Ton

Product	Vertical		Lateral		Two Angled		Four Angled	
	0°	90°	0-45°	45-60°	0-45°	45-60°		
M8 x 1.25	0.6	0.3	0.4	0.3	0.6	0.4		
M10 x 1.50	0.9	0.45	0.6	0.45	0.9	0.6		
M12 x 1.75	1.2	0.6	0.8	0.6	1.2	0.9		
M16 x 2.0	2.6	1.3	1.8	1.3	2.7	1.9		
M20 x 2.50	4	2	2.8	2	4.2	3		
M24 x 3.0	7	3.5	4.9	3.5	7.3	5.2		
M30 x 3.50	10	5	7	5	10.5	7.5		
M36 x 4.0	15	8	11.2	8	16.8	12		
M42 x 4.50	17	12	16.8	12	25.2	18		
M48 x 5.0	18	13	18.2	13	27.3	19.5		
M56 x 4.0	28	16	22.4	16	33.6	24		
M64 x 6.0	28	16	22.4	16	33.6	24		



Order: **G140. M**

Order Example:

G140. M24

